

SLP135-24

High Efficiency Multicrystalline PV Module

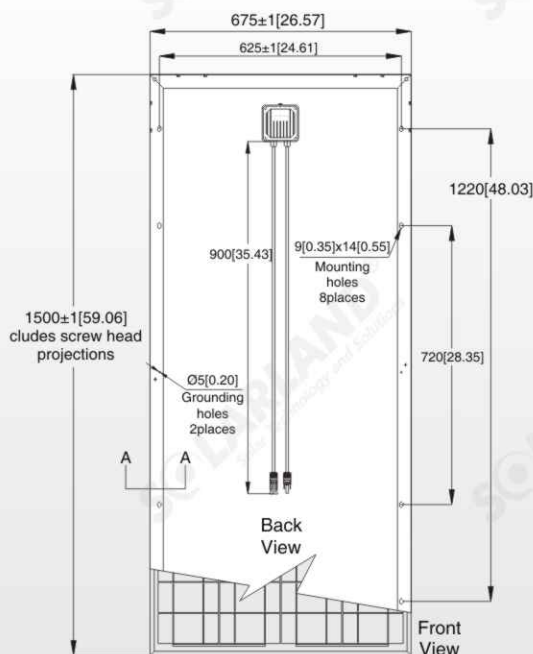
Electrical Characteristics	SLP135-24
Product code	135012402
Maximum power (Pmax)	135W
Voltage at Pmax (Vmp)	34.4V
Current at Pmax (Imp)	3.92A
Open-circuit voltage (Voc)	43.2V
Short-circuit current (Isc)	4.36A
Temperature coefficient of Voc	-(80±10)mV/°C
Temperature coefficient of Isc	(0.065±0.015)%/°C
Temperature coefficient of power	-(0.5±0.05)%/°C
NOCT (Air 20°C; Sun 0.8kW/m² wind 1m/s)	47±2°C
Operating temperature	-40°C to 85°C
Maximum system voltage	1000V DC
Power tolerance	± 5%

*STC: Irradiance 1000W/m², AM1.5 spectrum, module temperature 25°C

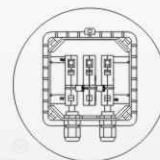
*NOCT: Nominal operating cell temperature (the data is only for reference)



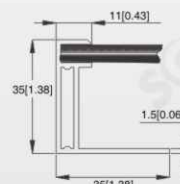
Module Diagram



Dimensions in brackets are in inches.
Un-bracketed dimensions are in millimeters.
Unit: mm[in.]



Junction Box
Top View (Lid Open)

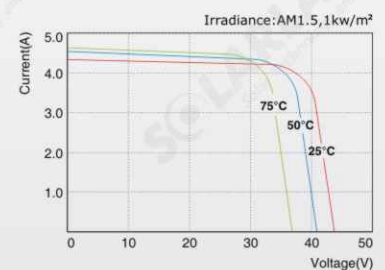


Section A-A

Features

- Nominal 24V DC for standard output.
- Outstanding low-light performance.
- Heavy-duty anodized frames.
- High transparent low-iron, tempered glass.
- Rugged design to withstand high wind pressure, hail and snow load.
- Aesthetic appearance.

Characteristics



SLP135-24 I-V Curves

Specifications

SLP135-24

Cells	Polycrystalline silicon solar cell
No. of cells and connections	72(4X18)
Module dimension	1500mm[59.06in.]x675mm[26.57in.]x35mm[1.38in.]
Weight	12.0kg[26.46lbs]
Packing information(Carton)	1540mm[60.63in.]x715mm[28.15in.]x85mm[3.35in.]/(2pcs/ctn)

*Limited warranty: 5-year limited warranty of materials and workmanship; 10-year limited warranty of 90% power output; 25-year limited warranty of 80% power output. For detail, please contact us.

*Specifications are subject to change without notice at any time.